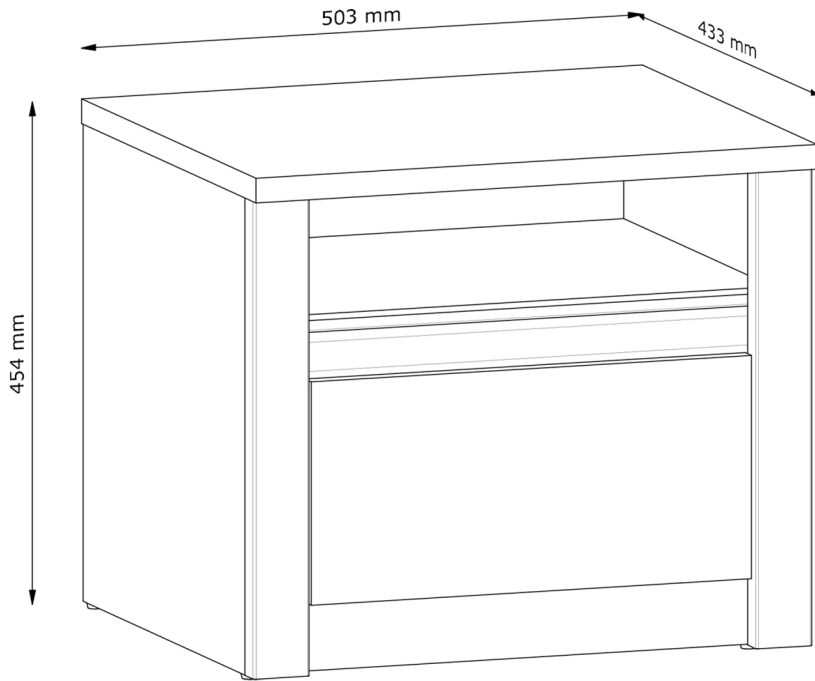
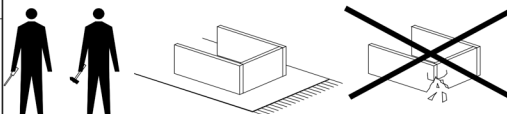
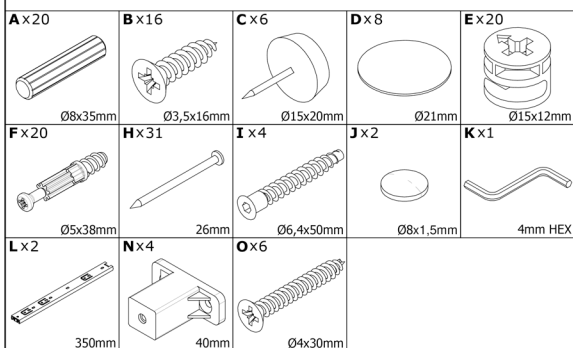
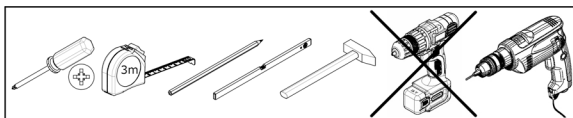
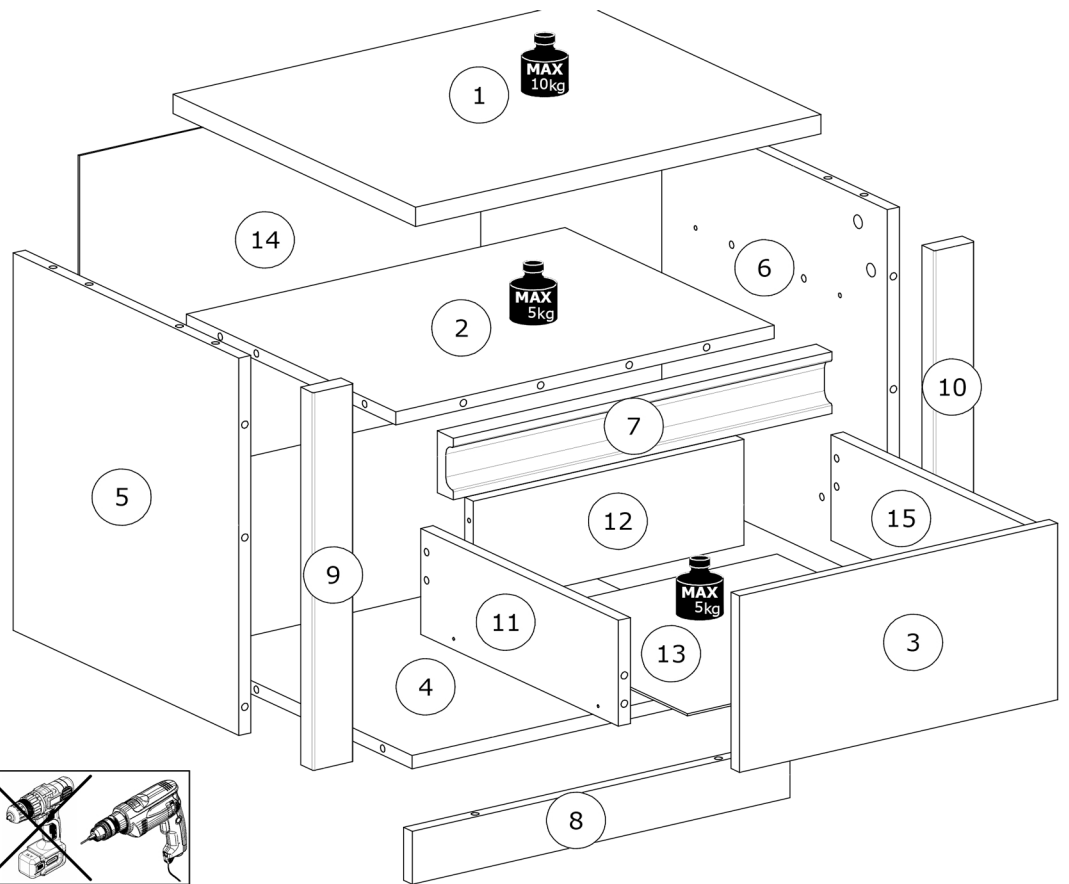


MONTANA

SN

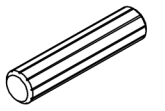


No.	L[mm]	W[mm]	H[mm]	PCS	BOX
1	503	430	22	1	1/1
2	470	371	15	1	1/1
3	395	200	15	1	1/1
4	470	400	15	1	1/1
5	428	400	15	1	1/1
6	428	400	15	1	1/1
7	470	70	28	1	1/1
8	469	60	15	1	1/1
9	428	50	22	1	1/1
10	428	50	22	1	1/1
11	350	120	15	1	1/1
12	336	120	15	1	1/1
13	360	355	2,5	1	1/1
14	498	385	2,5	1	1/1
15	350	120	15	1	1/1



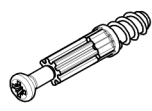
1

A x 6

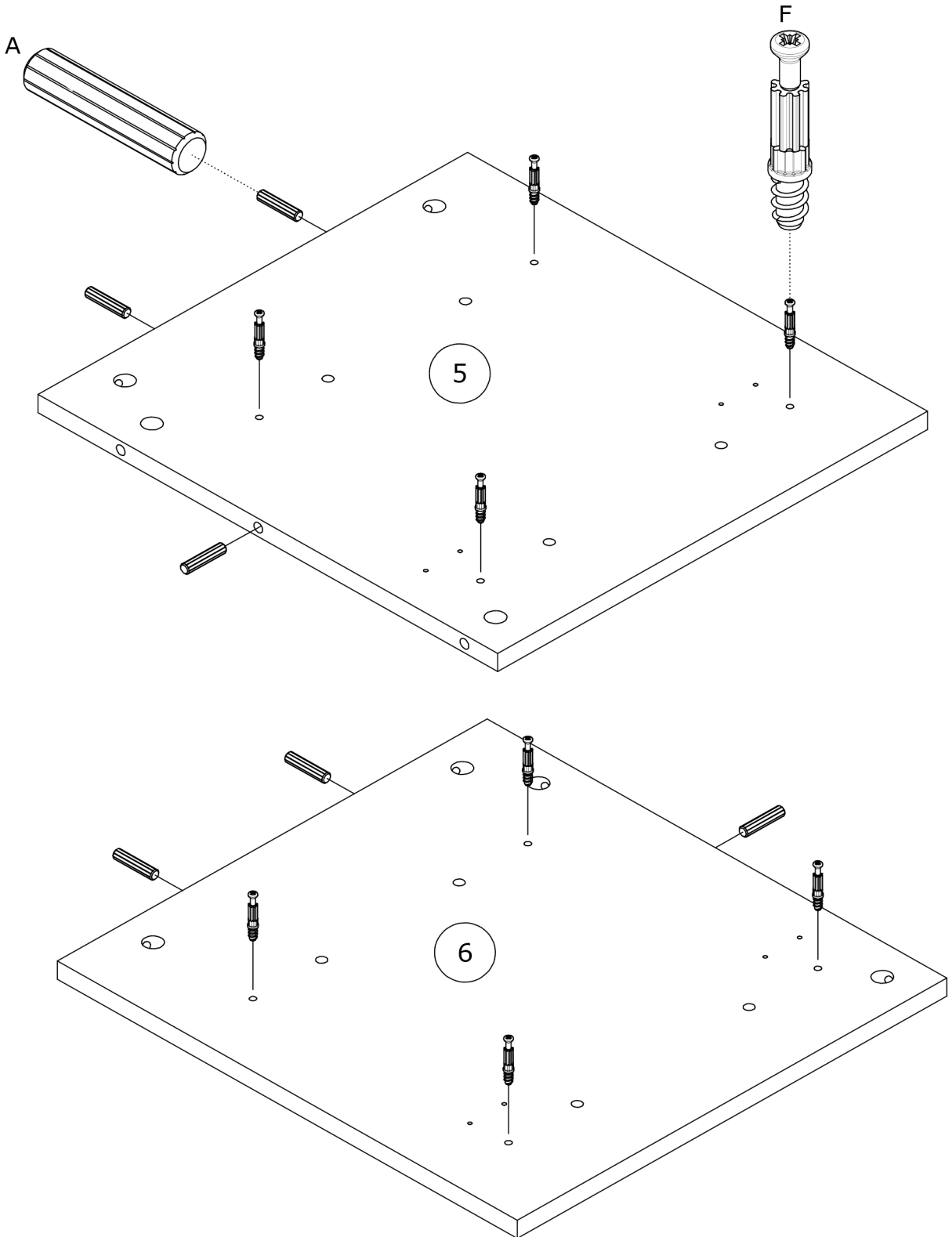
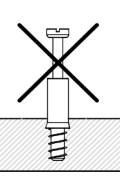
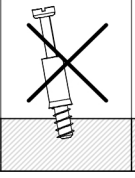
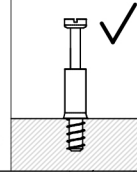
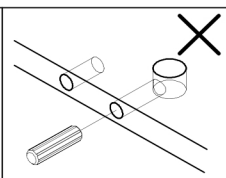
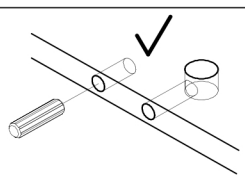
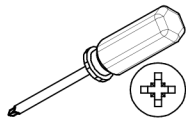
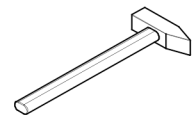


Ø8x35mm

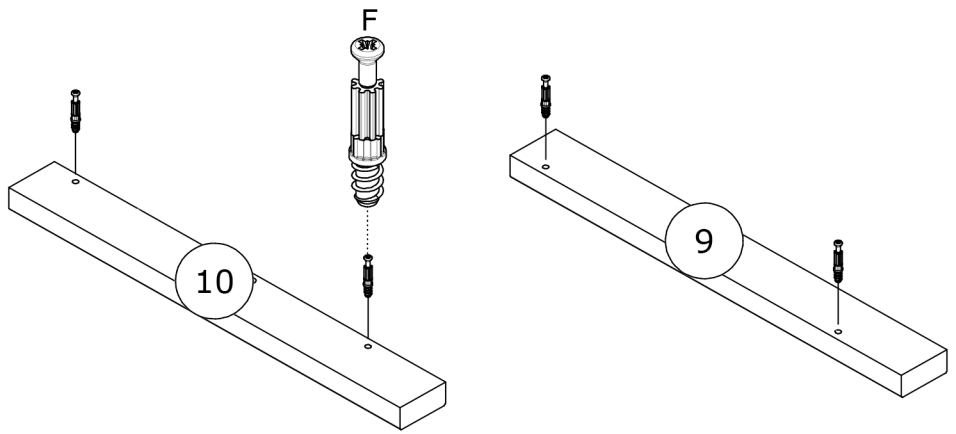
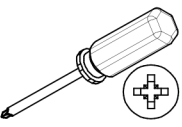
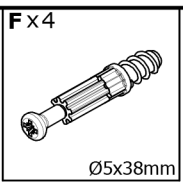
F x 8



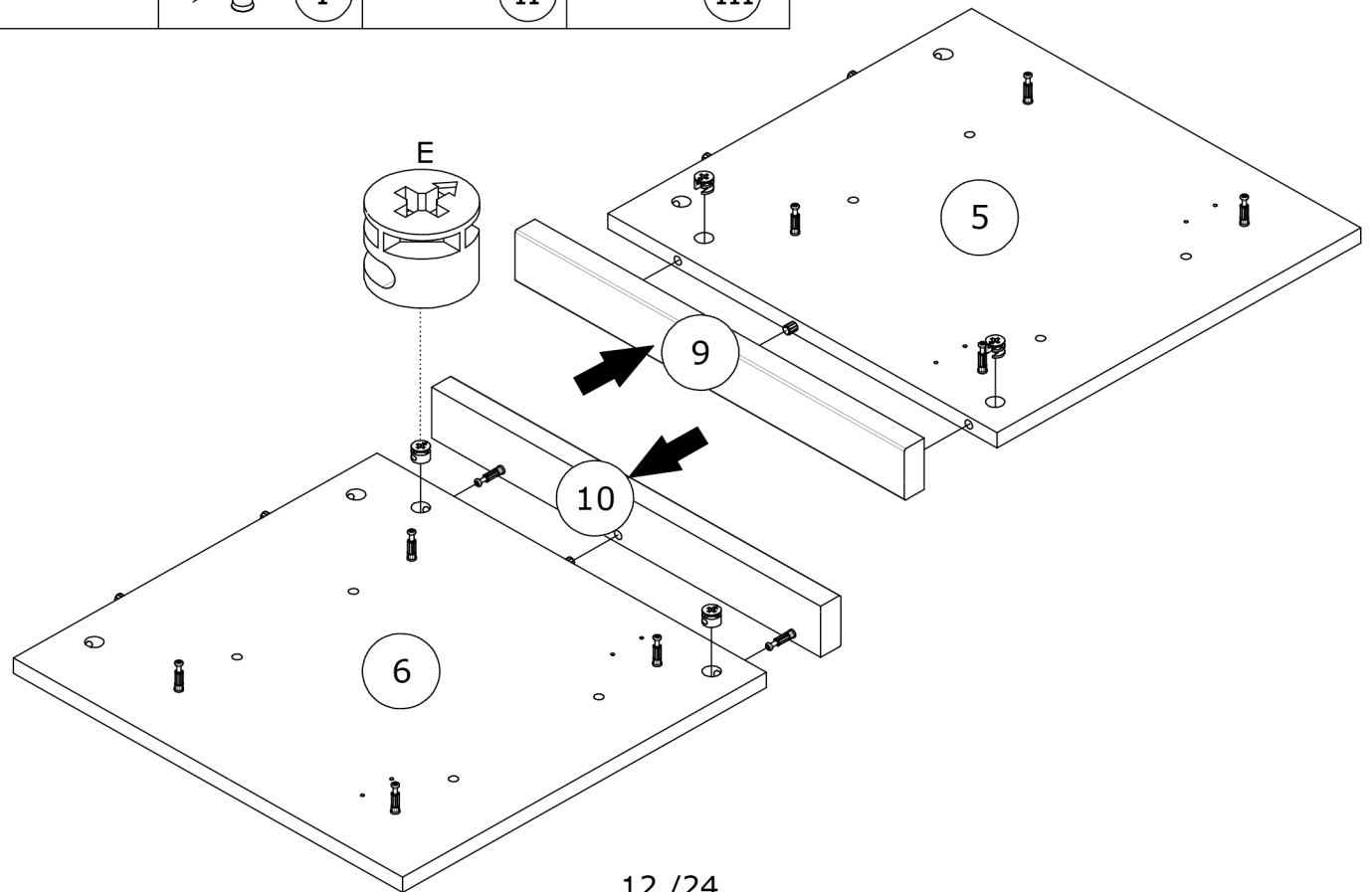
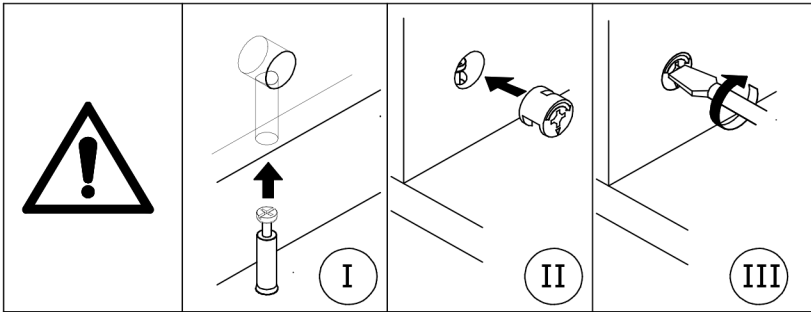
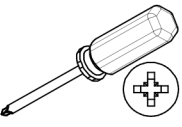
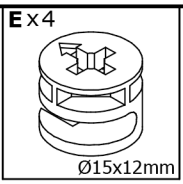
Ø5x38mm



2



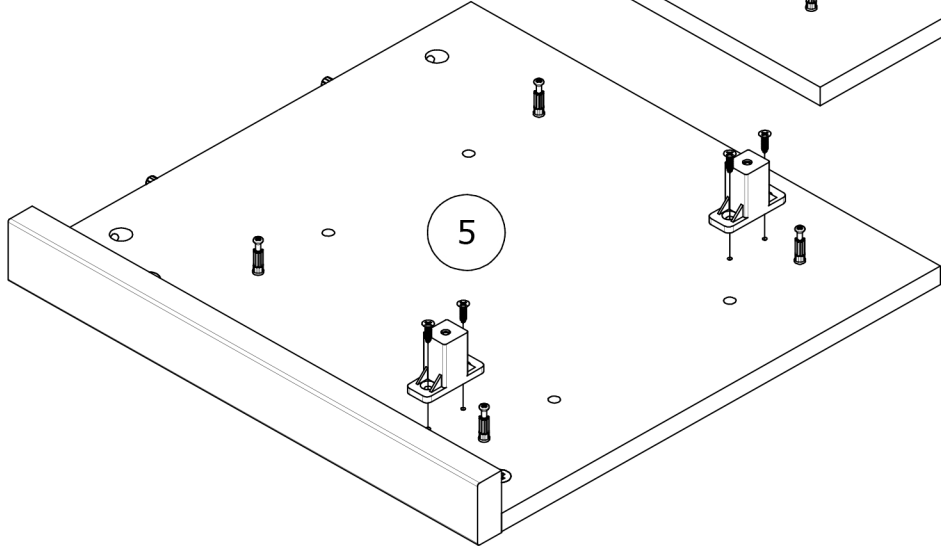
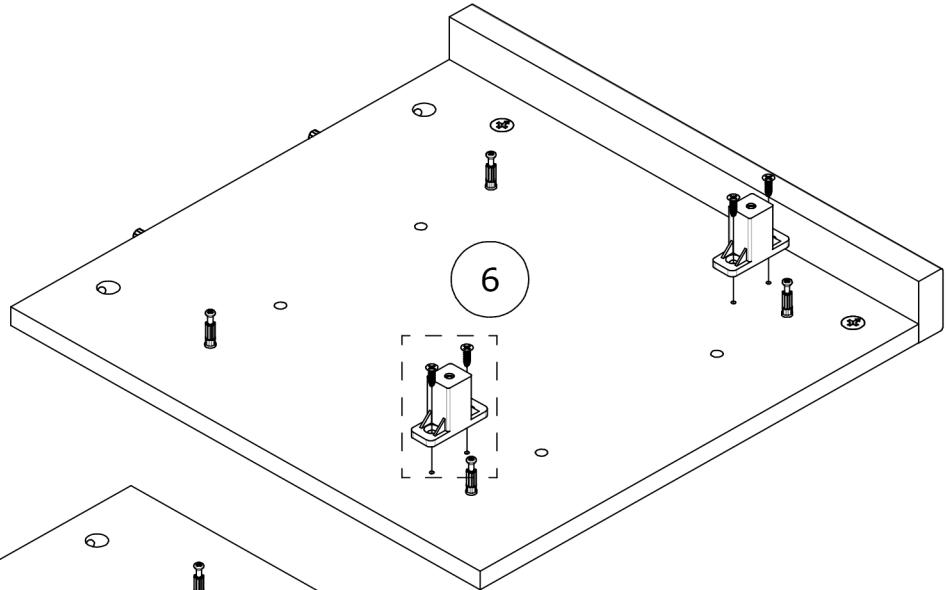
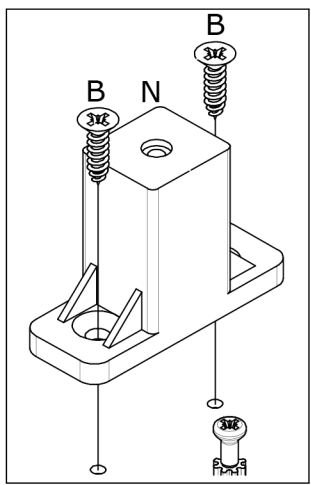
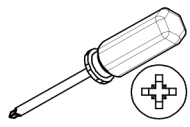
3



4

B x 8
Ø3,5x16mm

N x 4
40mm

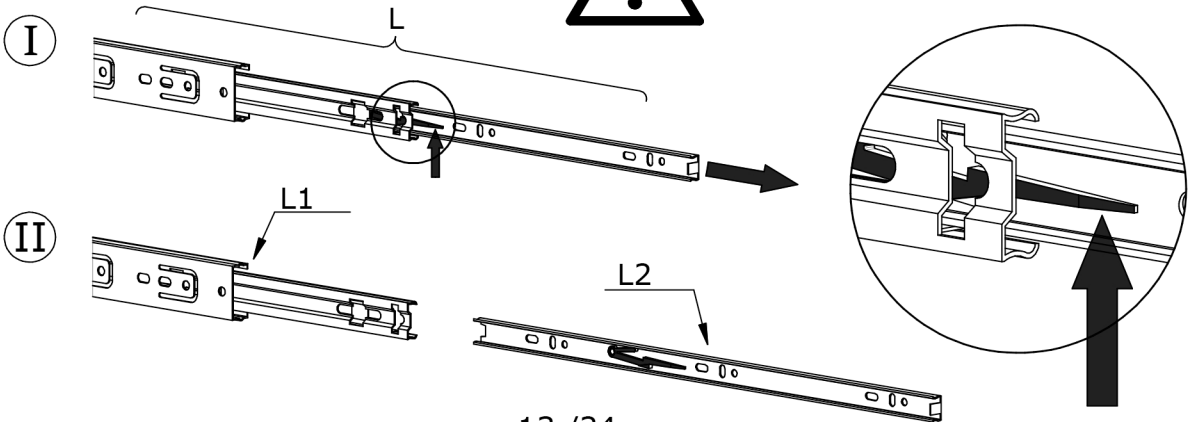


5

L x 2
350mm

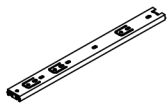


$L = L1 + L2$



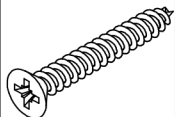
6

L1x2

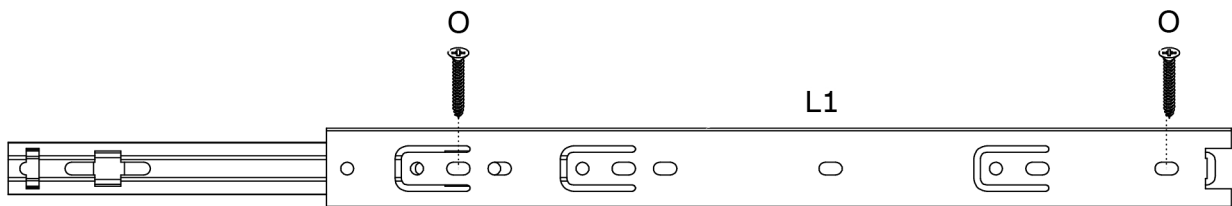
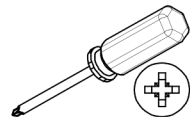


350mm

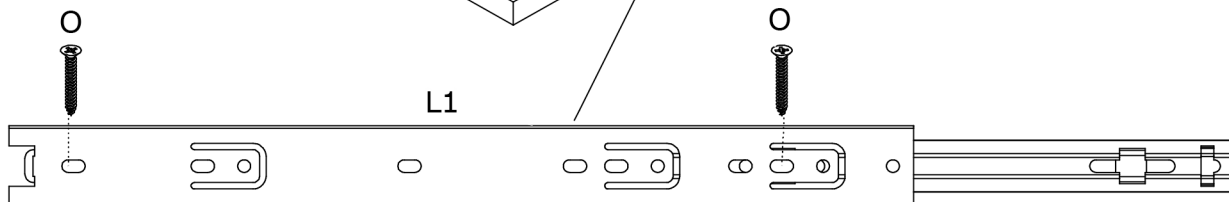
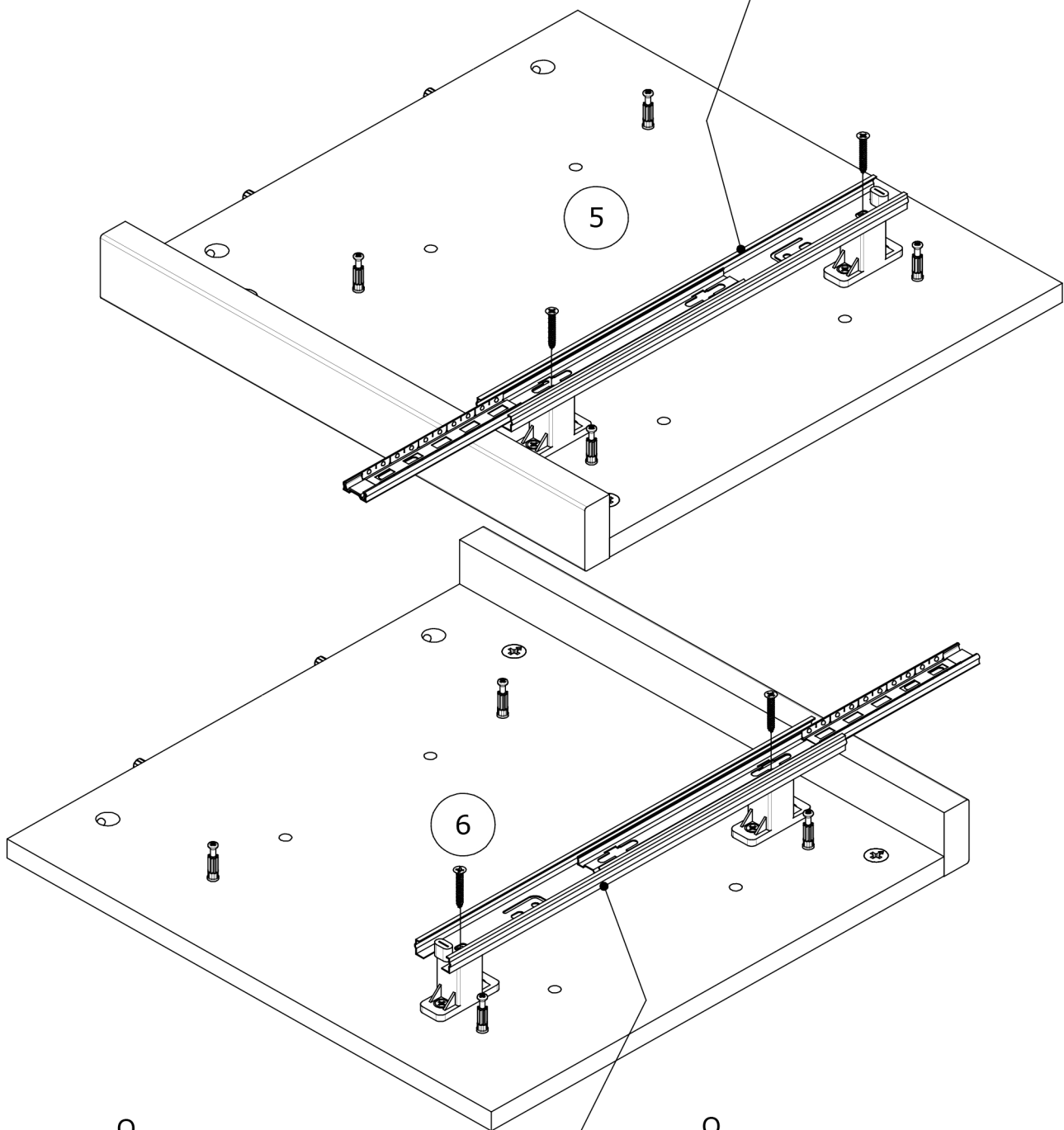
Ox4



Ø4x30mm



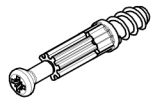
L1



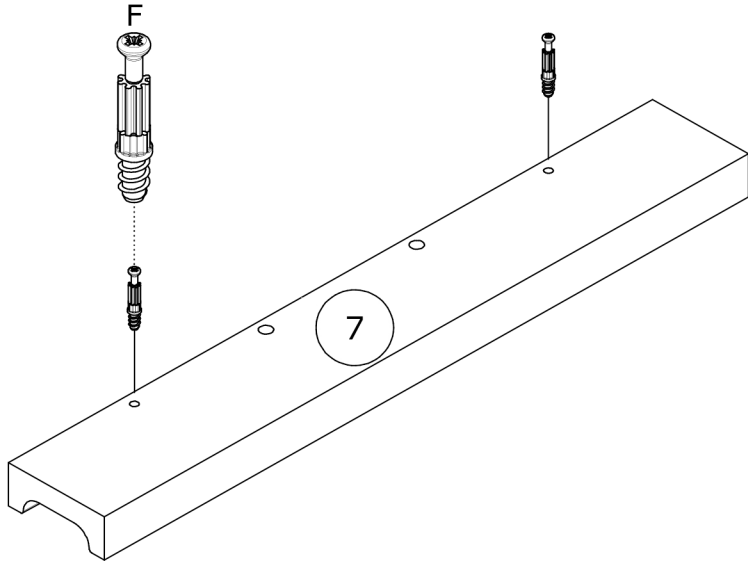
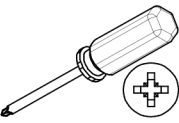
L1

7

F x 2

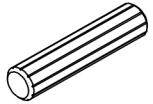


Ø5x38mm

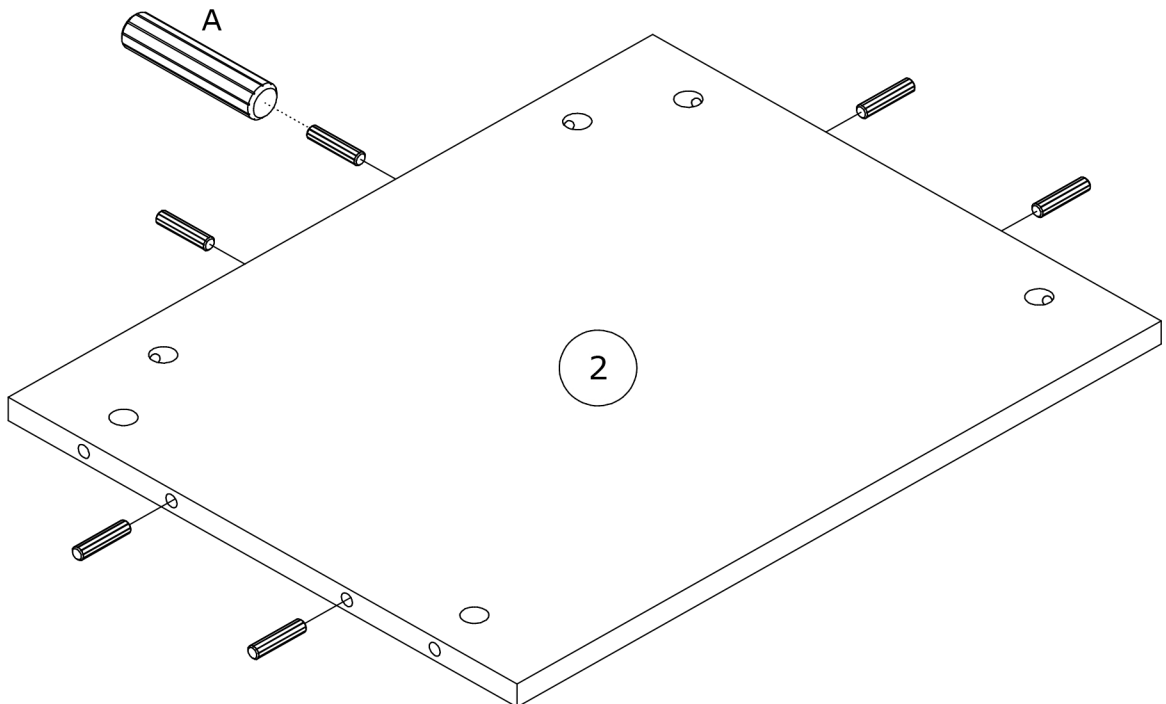
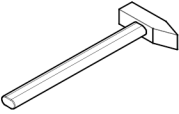


8

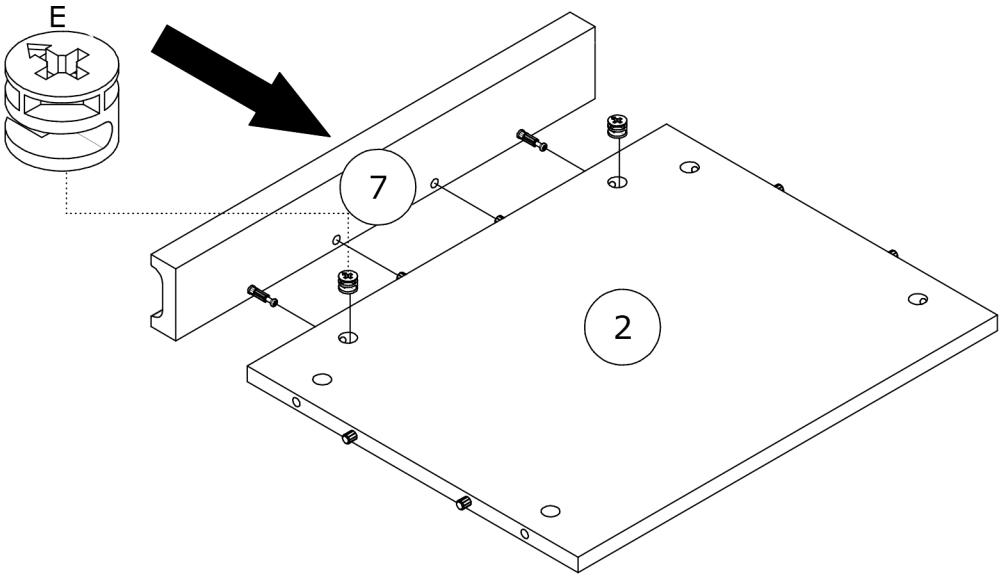
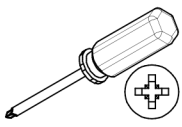
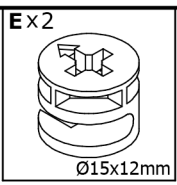
A x 6



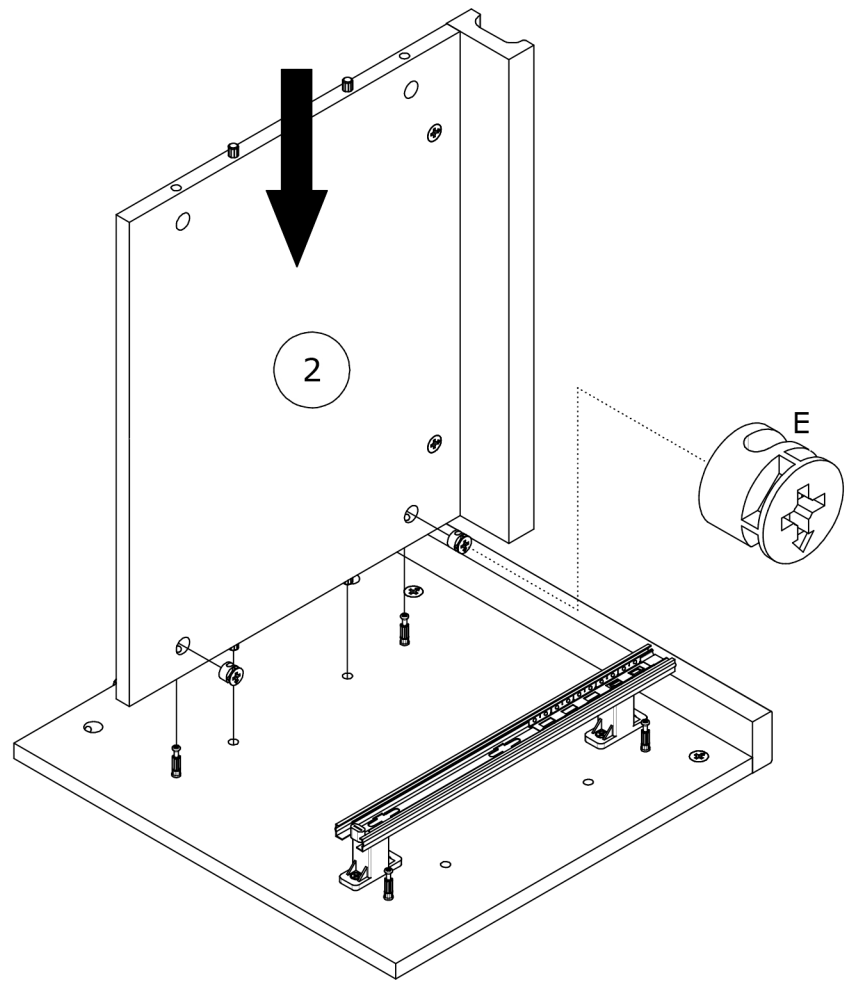
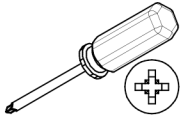
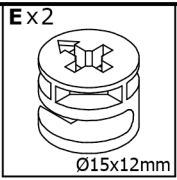
Ø8x35mm



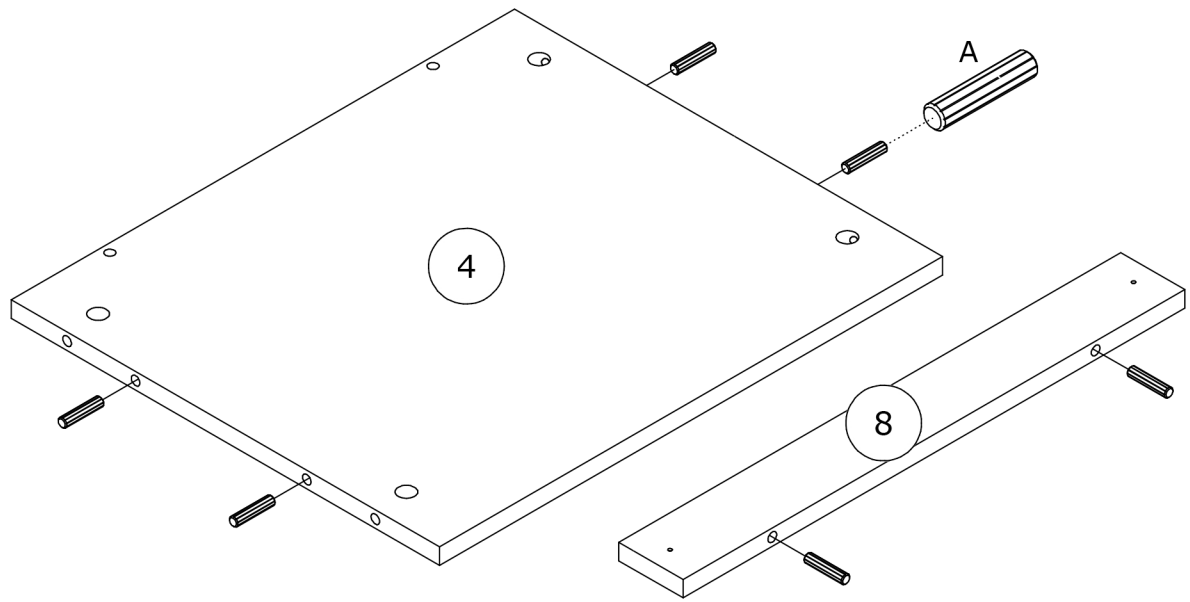
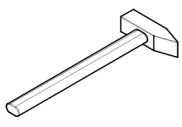
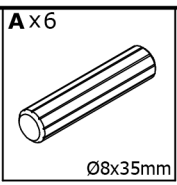
9



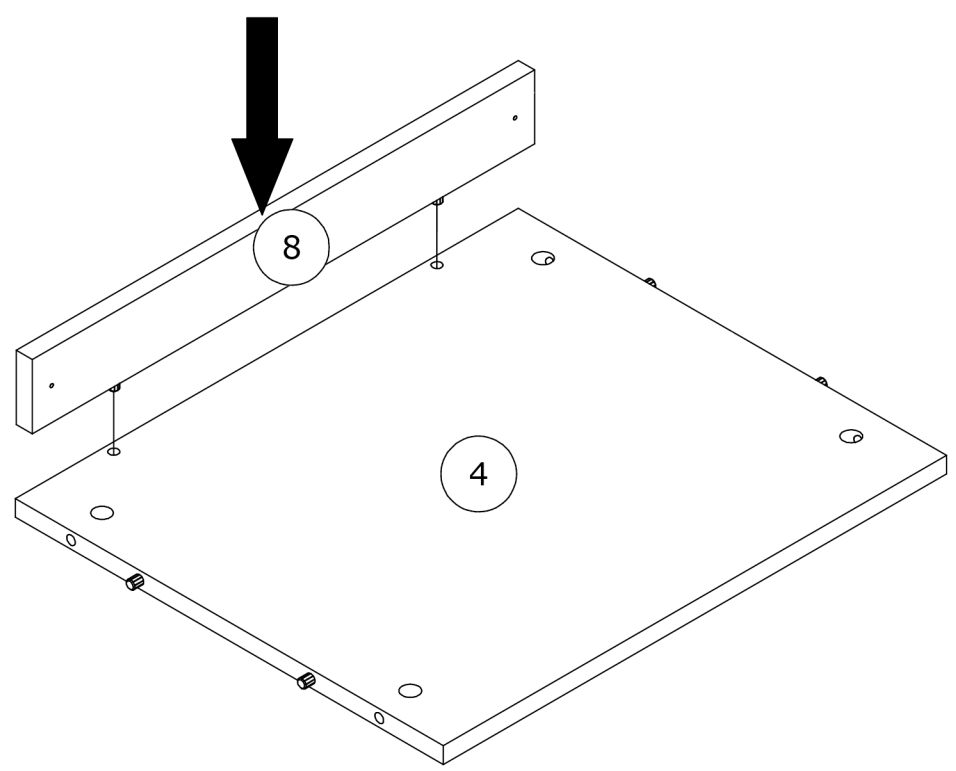
10



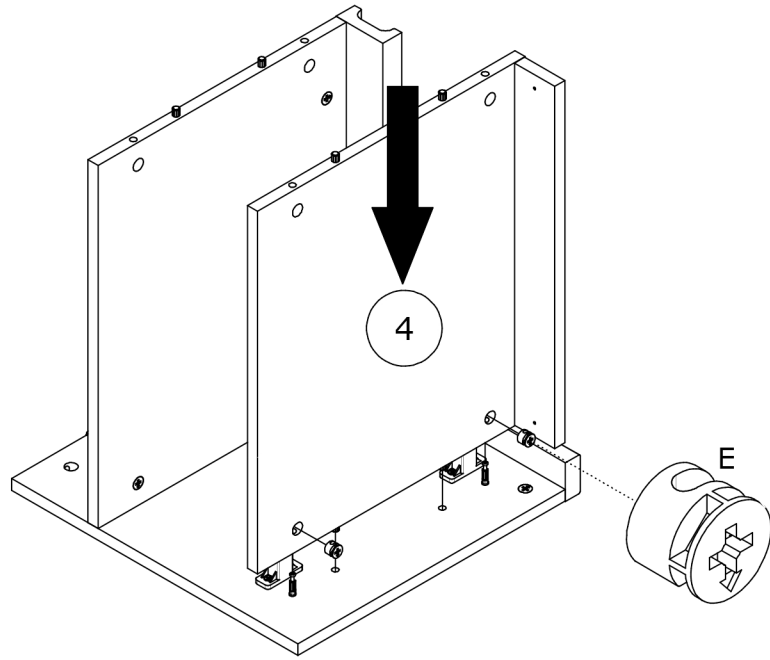
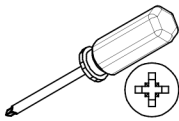
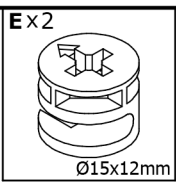
11



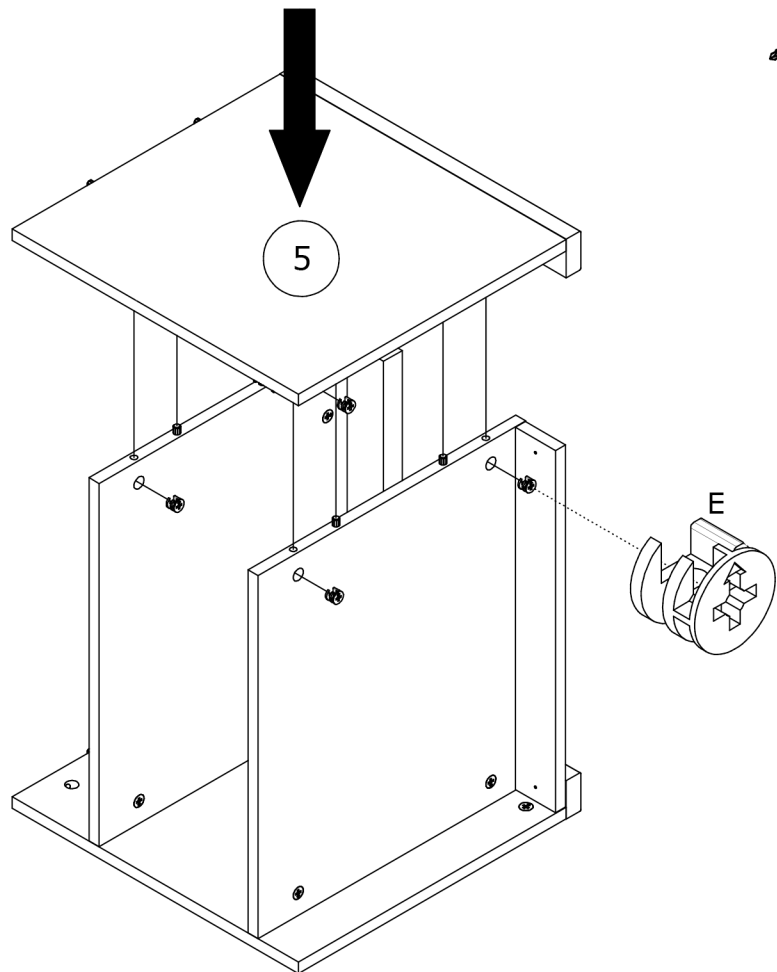
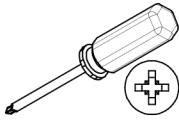
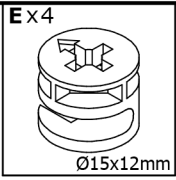
12



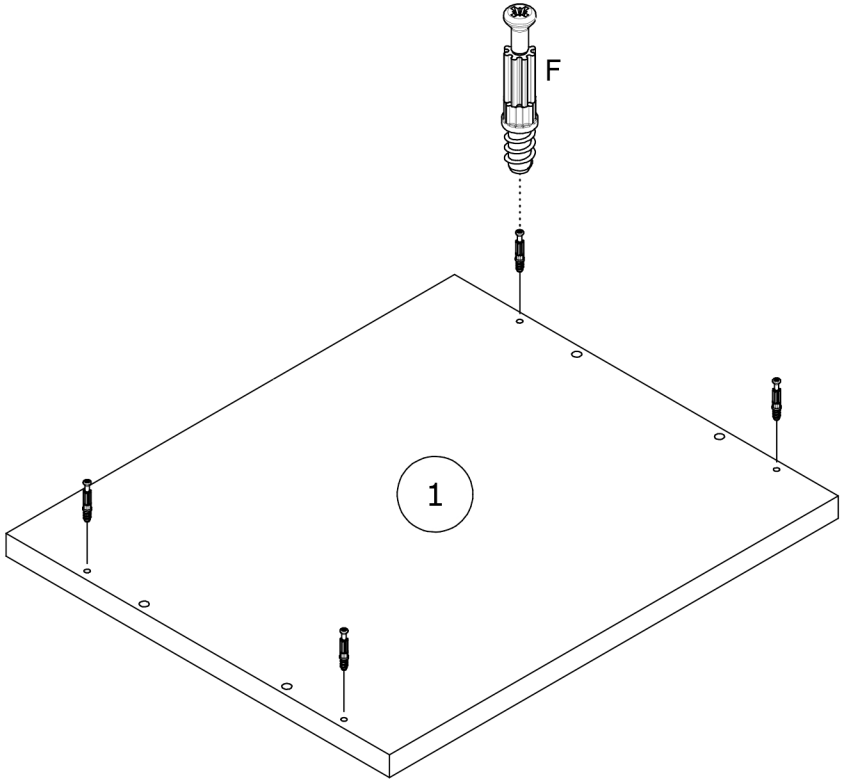
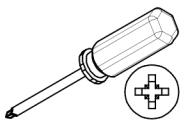
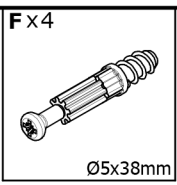
13



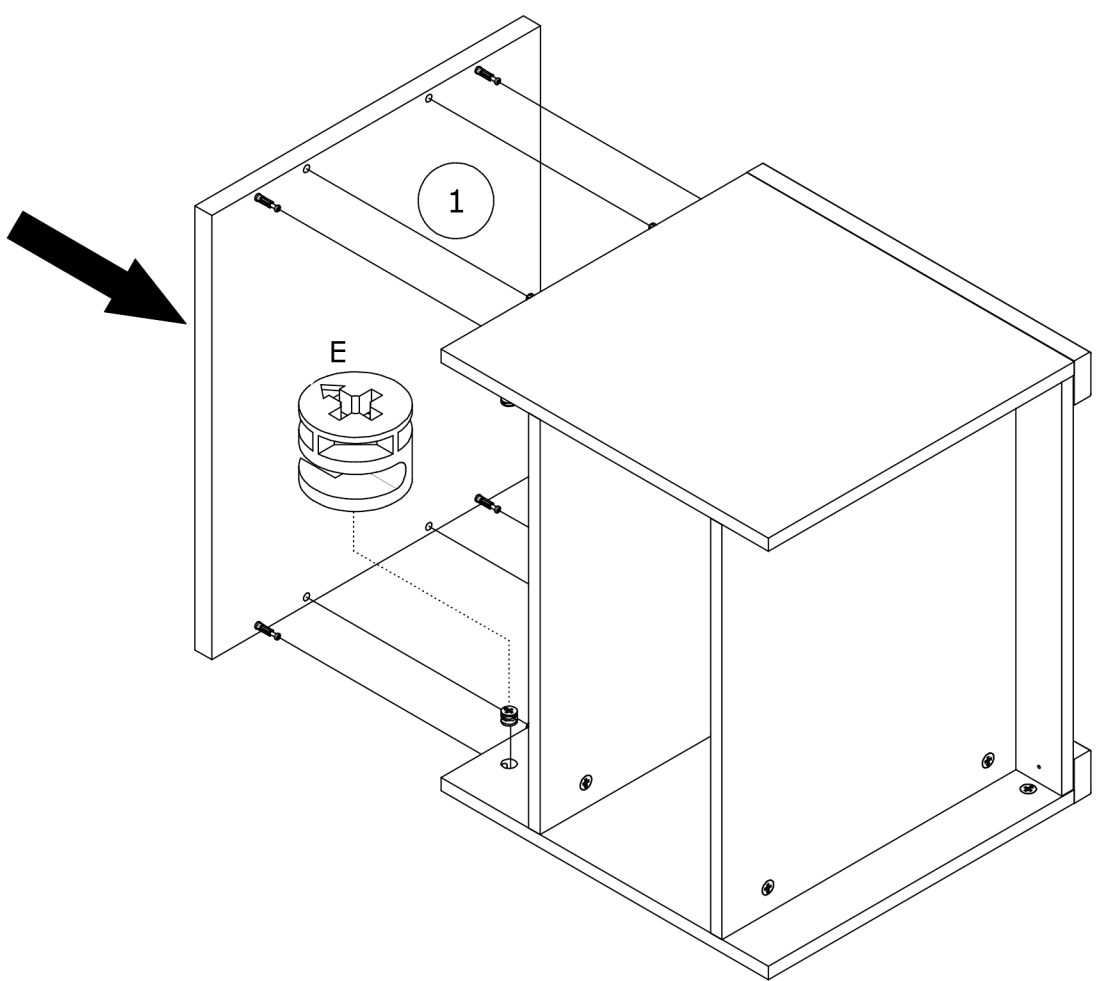
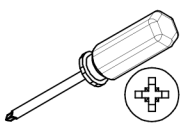
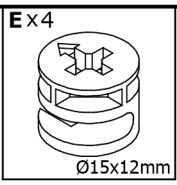
14



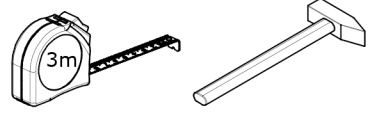
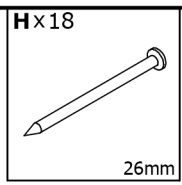
15



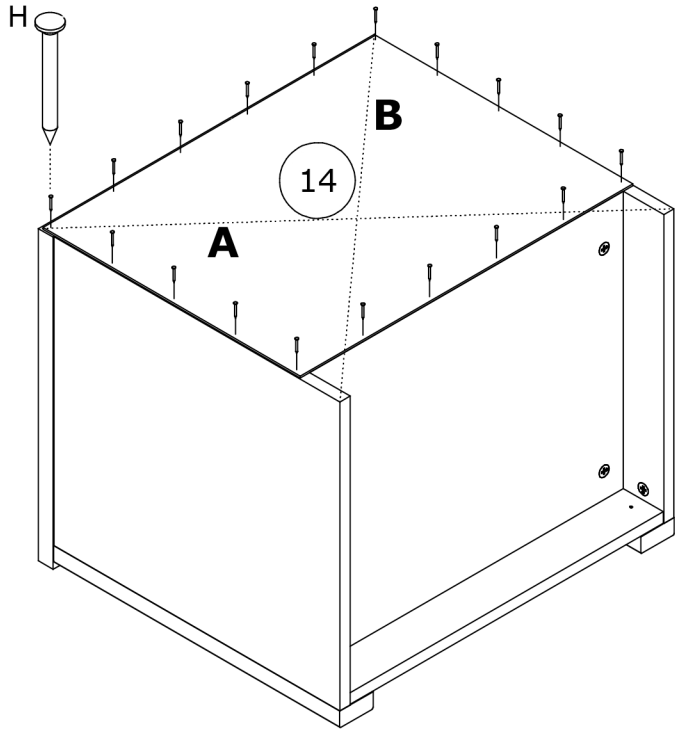
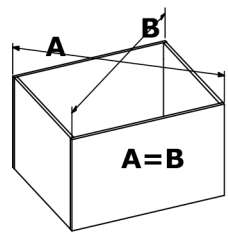
16



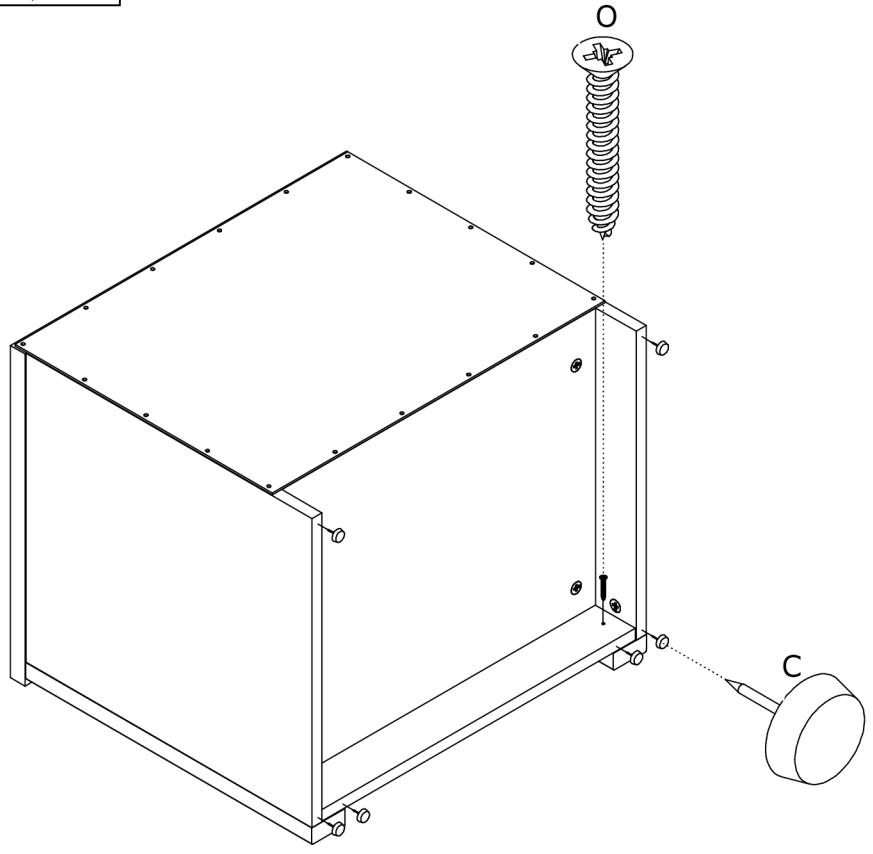
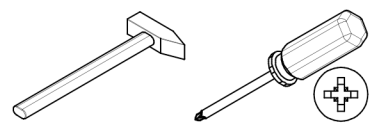
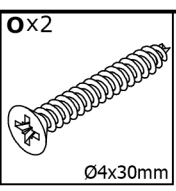
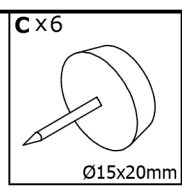
17



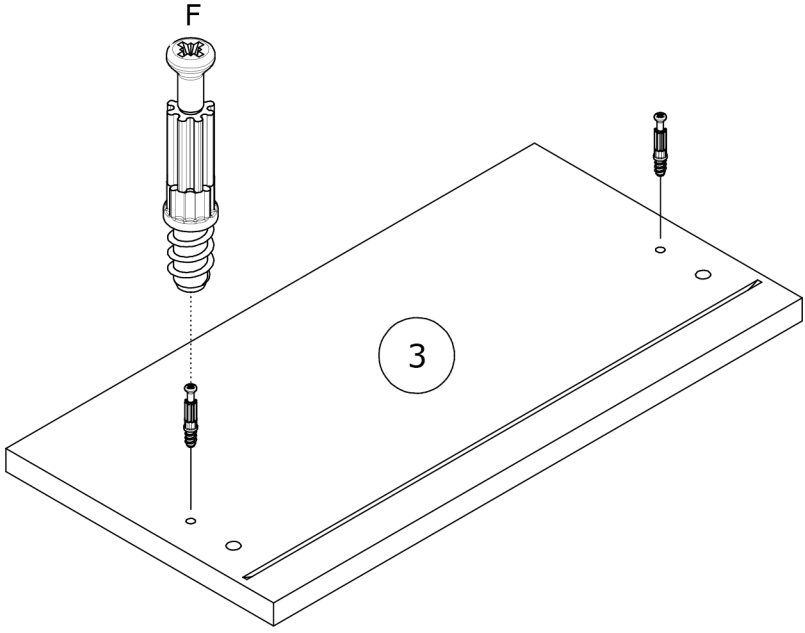
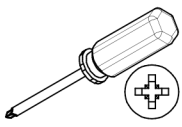
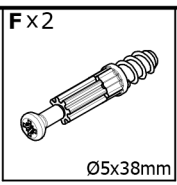
A=B ≡ 90°



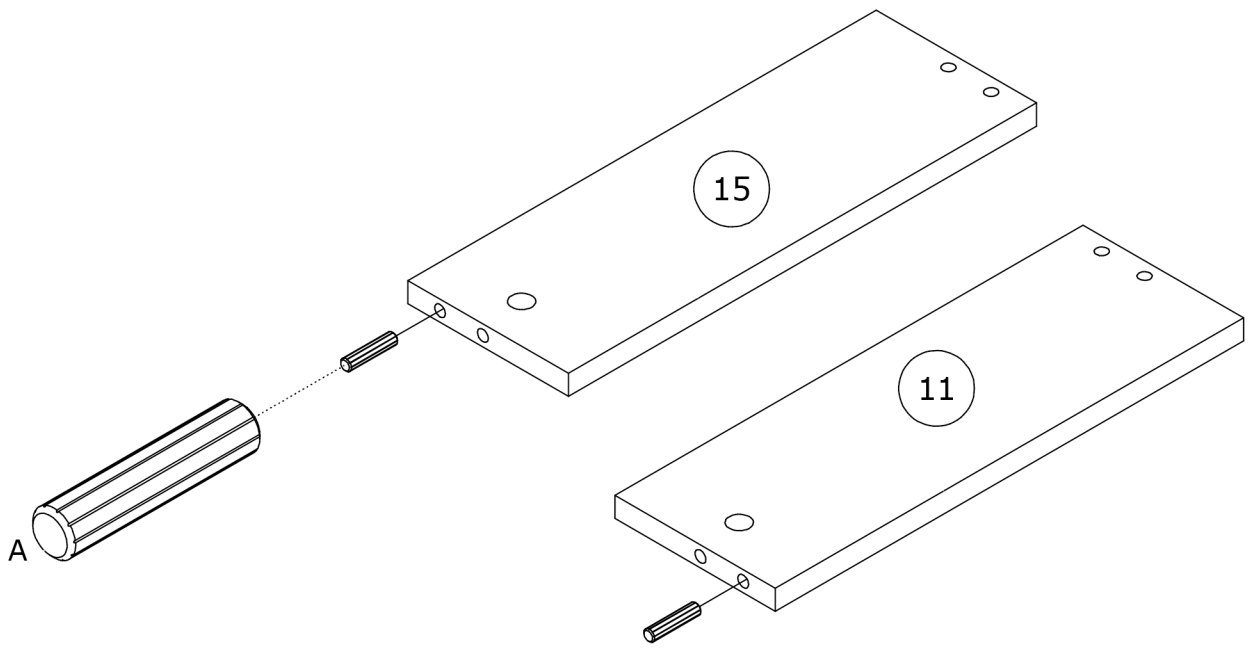
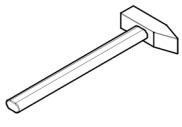
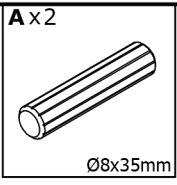
18



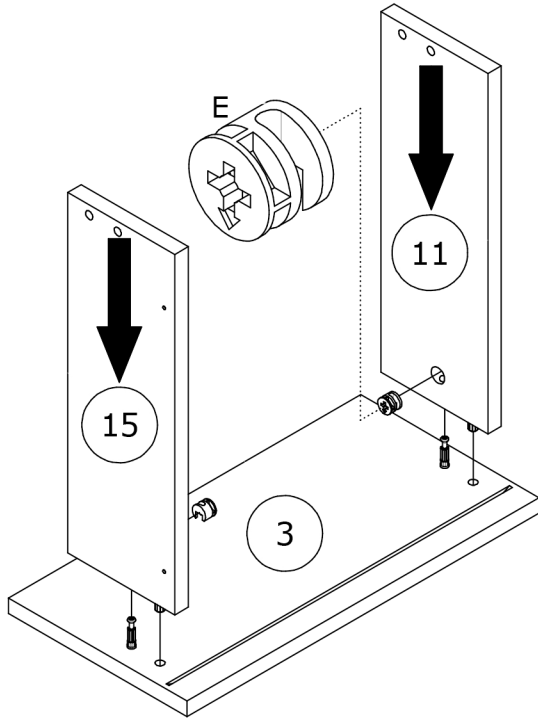
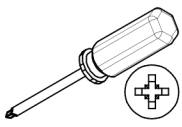
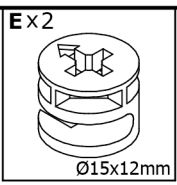
19



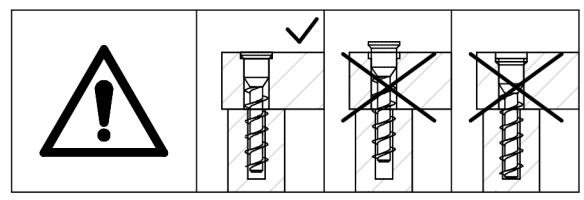
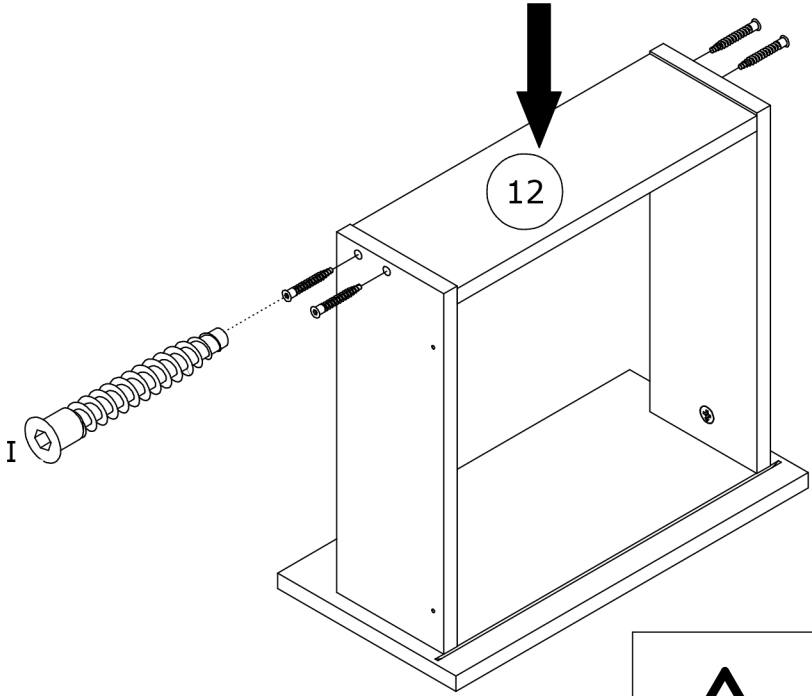
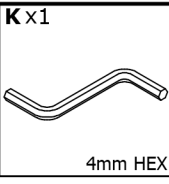
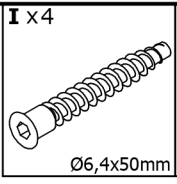
20



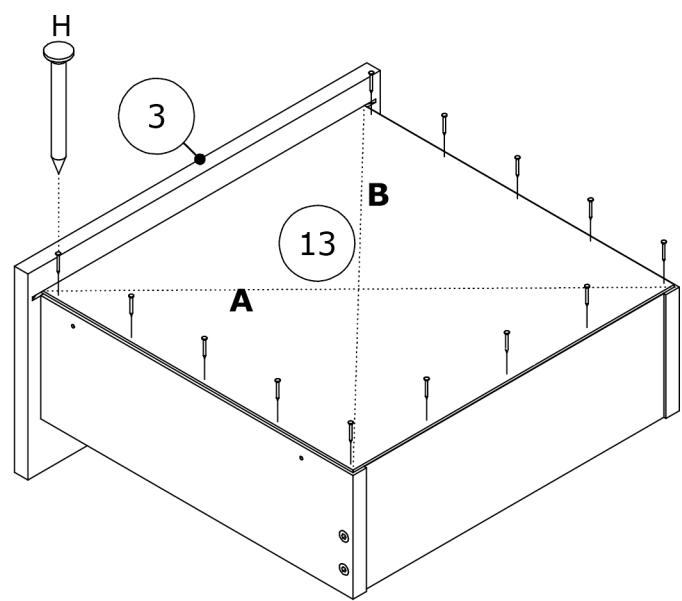
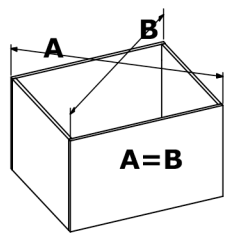
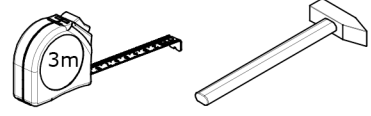
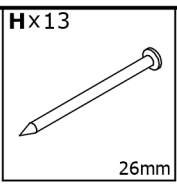
21



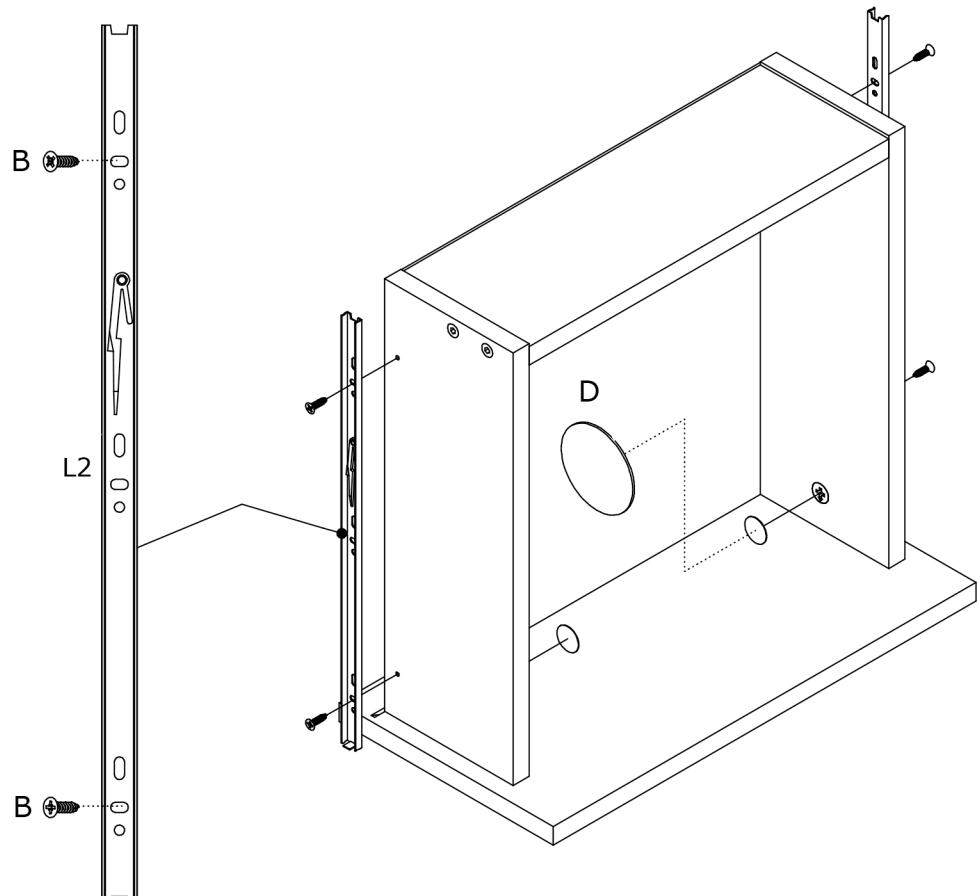
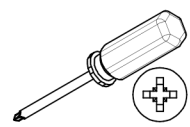
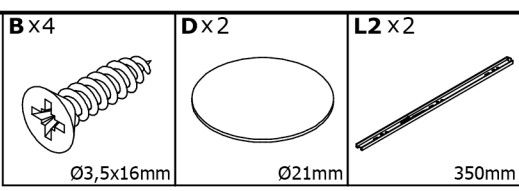
22



23

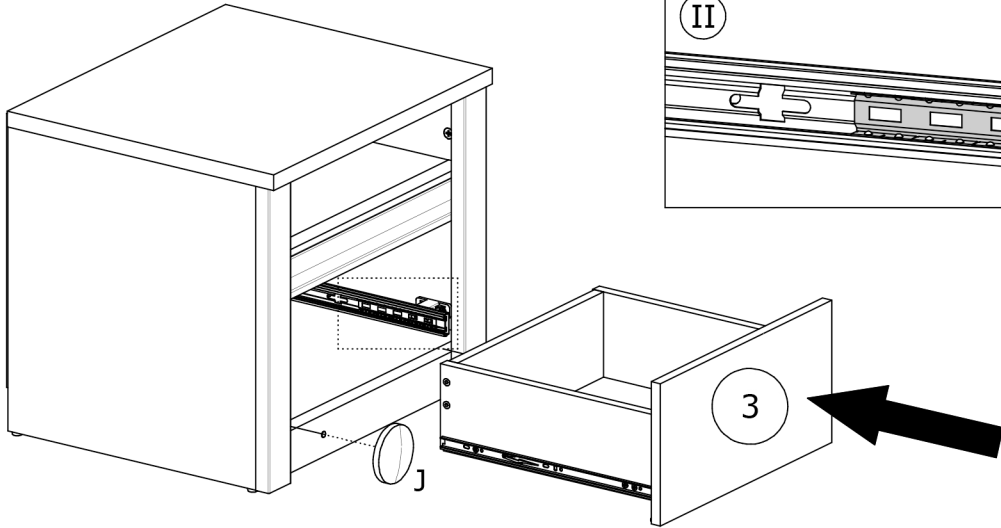
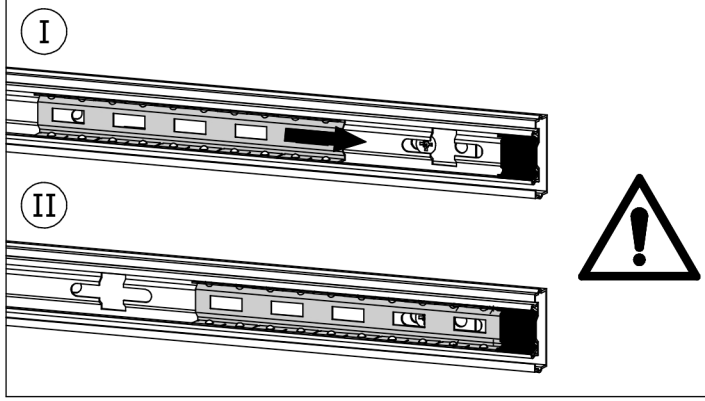
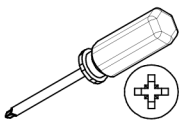


24



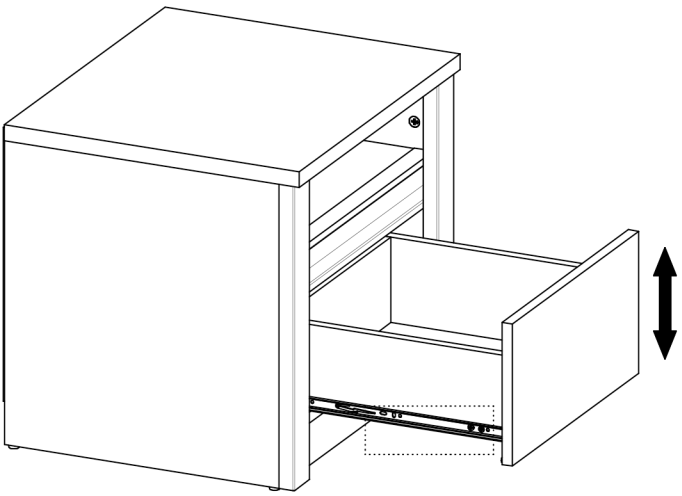
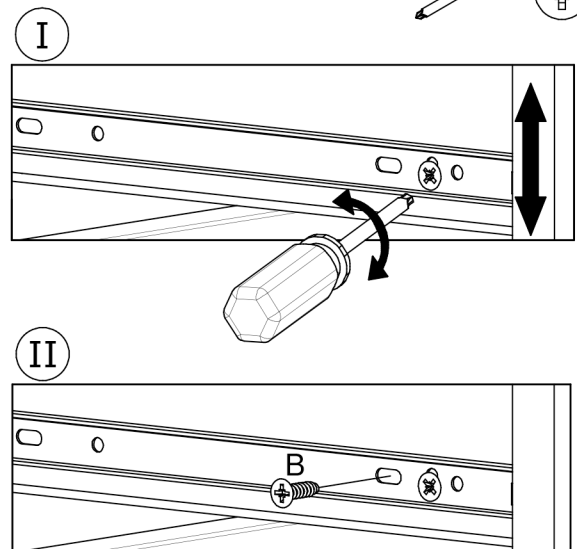
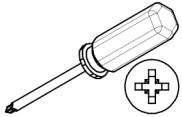
25

J x 2
Ø8x1,5mm



26

B x 2
Ø3,5x16mm



27

D x 6
Ø21mm

